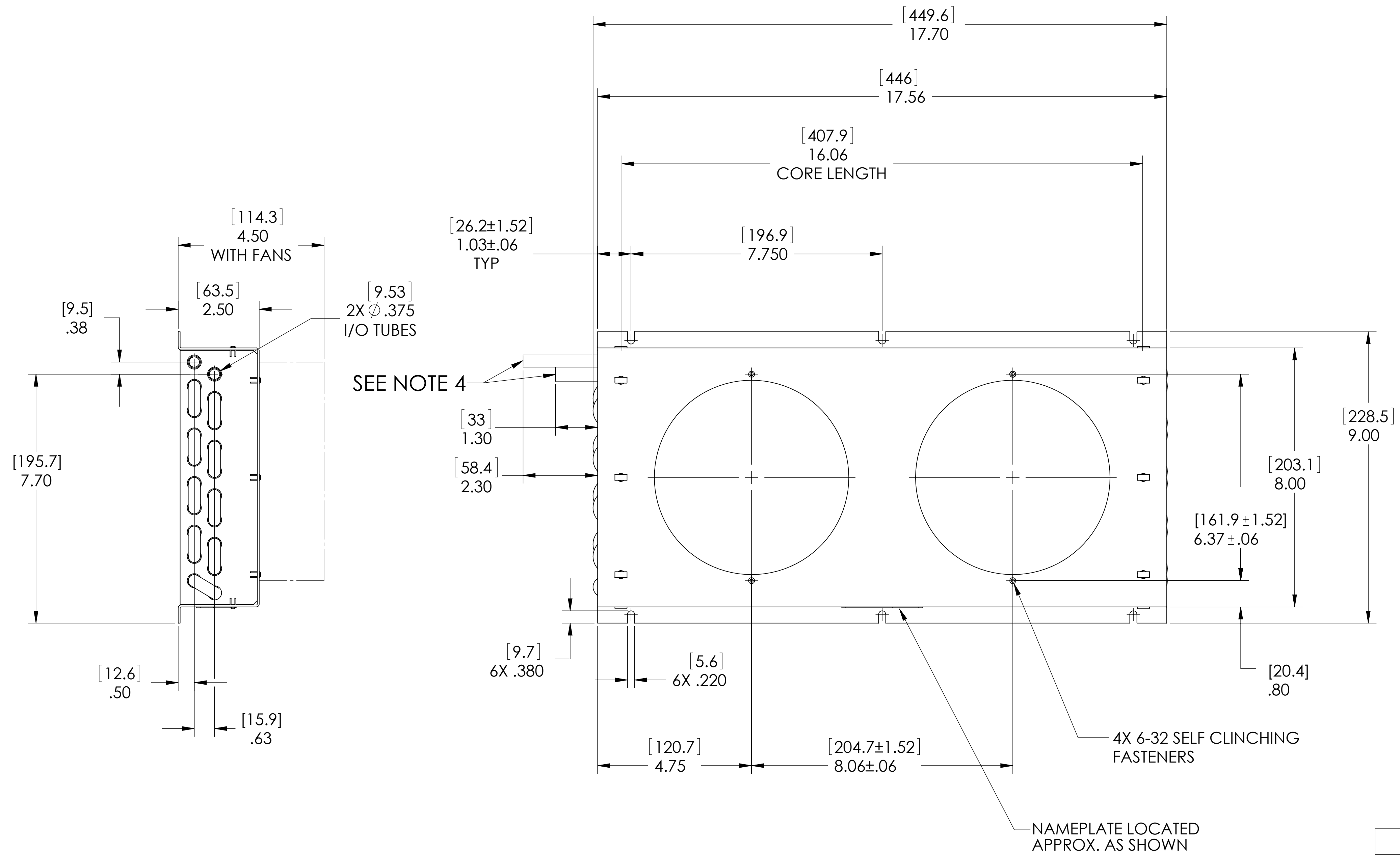


THIS DOCUMENT IS THE PROPERTY OF LYTRON, INC. AND REPRESENTS A PROPRIETARY ARTICLE ON WHICH LYTRON, INC. RETAINS ANY AND ALL PATENT AND OTHER RIGHTS, INCLUDING EXCLUSIVE RIGHTS OF USE AND/OR MANUFACTURE AND/OR SALE. POSSESSION OF THIS DOCUMENT DOES NOT CONVEY ANY PERMISSION TO REPRODUCE THE DOCUMENT OR MANUFACTURE THE ARTICLE OR ARTICLES SHOWN THEREIN.



| MATERIAL | |
|------------------|----------|
| FITTINGS | COPPER |
| OUTER FIN & TUBE | COPPER |
| FRAME | ALUMINUM |

6220G1SB

- NOTES:
1. DIMENSIONS IN [] ARE IN MILLIMETERS.
 2. LEAK TEST- PNEUMATIC PRESSURE TEST AT 150 PSIG.
 3. FINISH WILL BE AS FOLLOWS: SEMI GLOSS BLACK ACRYLIC PAINT.
 4. 1" OF END OF FITTINGS TO BE FREE OF PAINT.

| | | | | | | | |
|---|-----------------------------|----------------|--|------|----------|-------------|--------------|
| UNLESS OTHERWISE SPECIFIED ANGULAR DIMENSIONS ± 5° SURFACE ROUGHNESS (3.2 μm) BREAK EDGES .010 (25mm) MAX. REMOVE ALL BURRS | DRAWN | DATE | LYTRON INCORPORATED WOBRURN, MASSACHUSETTS | | | | |
| | CHECKED | | DRAWING TITLE HEAT EXCHANGER CORE CODE:L10-2-16-16.06 | | | | |
| TOLERANCE ON DECIMALS INCH .X .XX .XXX ±.X ±.10 ±.010 mm ±2.5 ±XX ±XXX | APPROVED | | DO NOT SCALE THIS DRAWING | SIZE | FSCM NO. | DRAWING NO. | REV |
| | APPROVED | | | D | 11245 | S-6220G1SB | P |
| THIRD ANGLE PROJECTION DIMENSIONS AND TOLERANCING ARE PER ANSI STD Y14.5 | MATERIAL Cu AND ALUMINUM | FINISH NONE | SCALE | 1/2 | WT. | | SHEET 1 OF 2 |